

D.C. motors with transmission

VMC | 24 V 0.22 W

with potentiometer



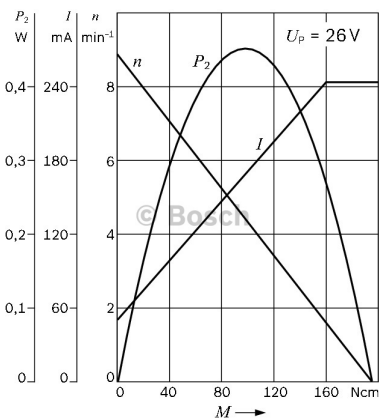
Technical data

Part number	0 132 801 141
Nominal voltage	U_N 24 V
Nominal power	P_N 0,22 W
Nominal current	I_N \leq 30 mA
Maximum current	I_{max} 250 mA
Nominal speed	n_N 7,5 min ⁻¹
Nominal torque	M_N 28,5 Ncm
Breakaway torque	M_A \geq 90 Ncm
Reduction	i 405 : 1
Direction of rotation	L/R
Shaft load	
max. axial	F_a \leq 30 N
Shaft load	
max. radial	F_r \leq 50 N
Type of duty	S 1
Degree of protection	IP 54
Weight	approx. 0,12 kg

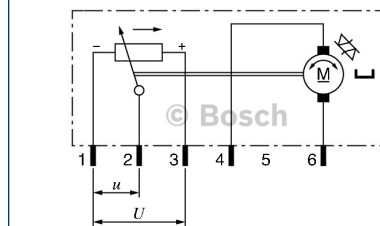
Clockwise 4 to (+), 6 to (-)
Anti-clockwise 6 to (+), 4 to (-)

Connector Housing:
RB- 1 928 403 095/ Connector Terminal: TE
5-962885-1

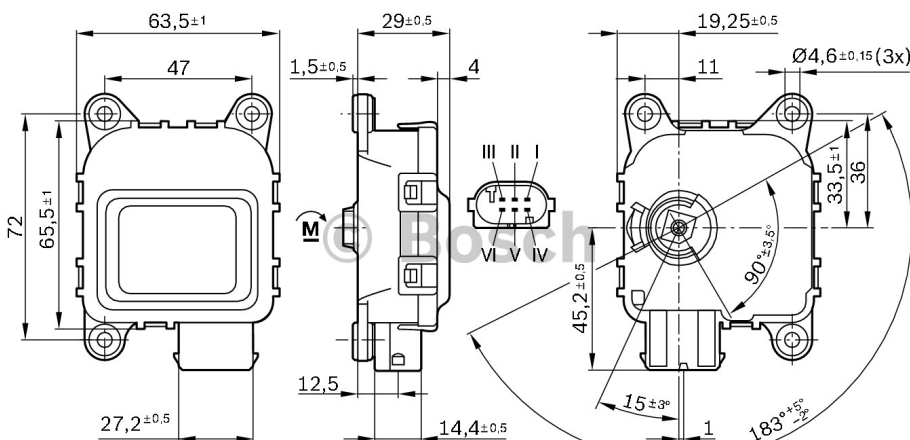
Characteristic curve



Connection diagram



Dimensional drawing



Robert Bosch GmbH Connection: Socket housing 1 928 403 095 with socket contact Tyco No. 928 999-1.

Automotive Aftermarket
Postfach 410960
76225 Karlsruhe
Germany

www.bosch-elektromotoren.de



BOSCH
Invented for life